

Nylon Cable Glands

Anti-vibration with locknuts

To complement our range of cable management products we have introduced a range of nylon cable glands, suitable for industrial and commercial applications. The glands are available in a wide range of sizes and colours and all are rated to IP68 Standard.

Features and Benefits

The nylon cable glands and locknuts are designed with anti-vibration caps, the cap when tightened is locked, it can be un-screwed and re-tightened.

- Each gland comes complete with locknut.
- Zero halogen polyamide 6.
- Neoprene seal.
- Protection class IP68 / 5 bar.
- Temperature range from -30°C to 80°C permanent.
- Operating temperature up to 150°C intermittent.
- VDE approved.

Applications

- Repair and maintenance
- Machine tool
- Panel building
- Outside plant
- Lighting
- Professional equipment
- Electrical junction boxes
- Bulkhead wiring
- Automotive
- Robotics
- General wiring applications

Comprehensive Range Covers

M12/12.0mm (3.0mm - 6.5mm cable range)

M63/63.0mm (34.0mm - 44.0mm cable range)

Colours Available

Black (UV stabilised) | Grey | Red | White

We also supply metal EMC cable glands, please contact us for more information.



Hand Tool

A hand held cable gland tool is also available that is suitable for both nylon and metal cable glands. Ideal for high gland density installations. Please contact us for details.



Tel: +44(0) 1793 616700 • Fax: +44(0) 1793 644304
uksales@is-rayfast.com • export@is-rayfast.com

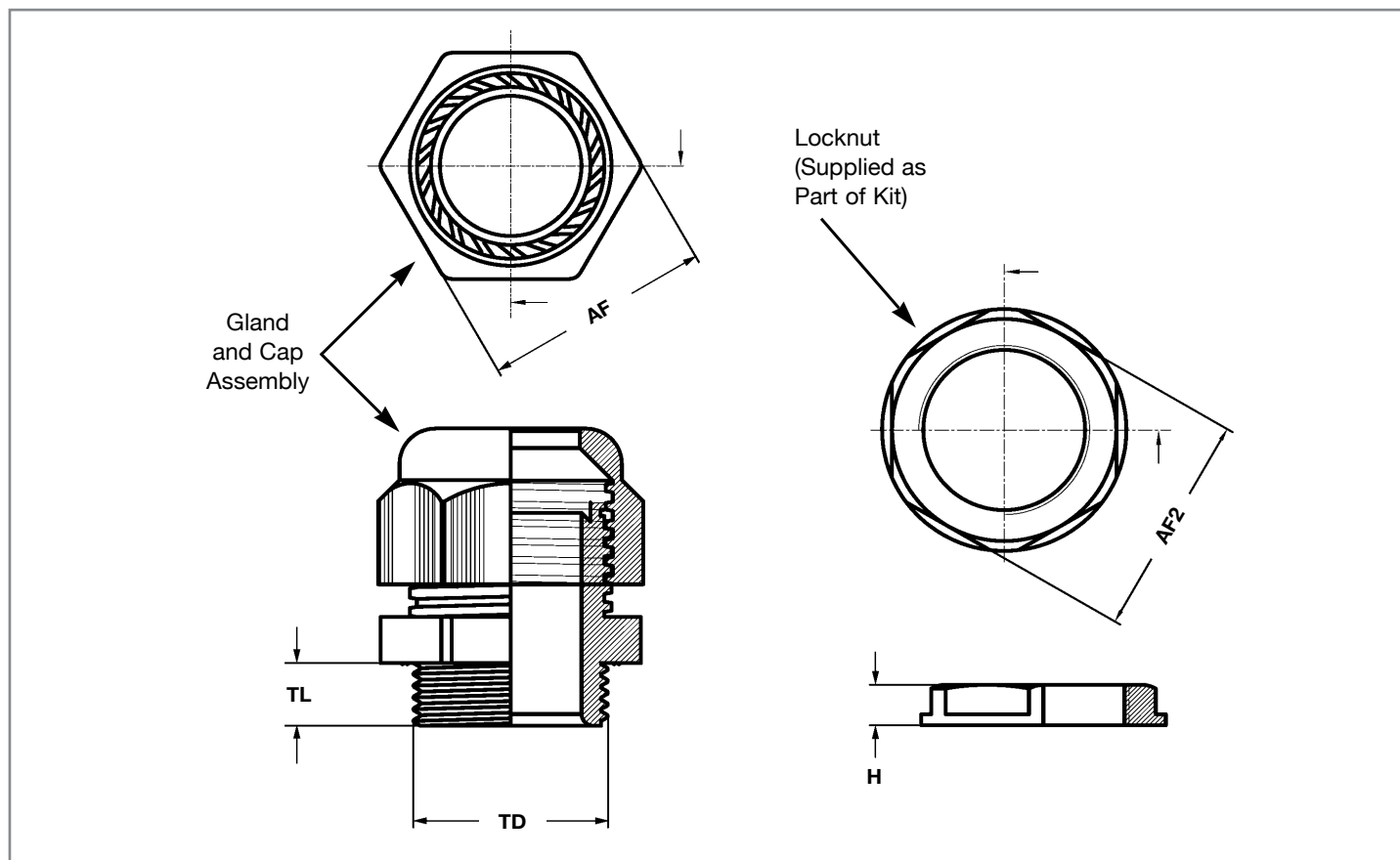
www.is-rayfast.com

2 Lydiard Fields, Swindon, Wiltshire, SN5 8UB, UK.

is Rayfast

Nylon Cable Glands

Anti-vibration
with locknuts



Product Selection Table - Dimensions

Size	Cable Range	Dimensions Gland and Cap Assembly					Part Numbers by Colour				Bag Quantity
		TD	TL	AF	H	AF2	Grey	Black	Red	White	
M12	3.0 - 6.5	12.0	8.0	15.0	5.0	18.0	1478768-1	1478769-1	1478770-1	1478771-1	5
M16	5.0 - 10.0	16.0	10.0	22.0	5.0	22.0	1478768-2	1478769-2	1478770-2	1478771-2	5
M20	6.0 - 12.0	20.0	10.0	24.0	6.0	26.0	1478768-3	1478769-3	1478770-3	1478771-3	5
M25	13.0 - 18.0	25.0	10.0	33.0	6.0	32.0	1478768-5	1478769-5	1478770-5	1478771-5	5
M32	18.0 - 25.0	32.0	18.0	42.0	7.0	41.0	1478768-6	1478769-6	1478770-6	1478771-6	5
M40	22.0 - 32.0	40.0	18.0	53.0	7.0	50.0	1478768-7	1478769-7	1478770-7	1478771-7	2
M50	30.0 - 38.0	50.0	18.0	60.0	8.0	60.0	1478768-8	1478769-8	1478770-8	1478771-8	2
M63	34.0 - 44.0	63.0	18.0	65.0	8.0	75.0	1478768-9	1478769-9	1478770-9	1478771-9	2

All dimensions in millimetres unless otherwise stated.

All information contained in this leaflet is believed to be reliable. We advise however that customers should separately evaluate the suitability of our products for their particular application. IS-Rayfast give no guarantee in respect of the accuracy or sufficiency of the information presented and disclaim any liability regarding its use. Our responsibilities are only those listed in our Standard Terms and Conditions of Sale for these products. In no instance will we be liable for any eventual, indirect, or consequential damage or damages from the sale, resale, transfer, use or misuse of the product.

Tel: +44(0) 1793 616700 • Fax: +44(0) 1793 644304
uksales@is-rayfast.com • export@is-rayfast.com

www.is-rayfast.com

2 Lydiard Fields, Swindon, Wiltshire, SN5 8UB, UK.

